

ALTERNATOR PRO28S D/4

Three-phase brushless synchronous alternator with AVR - 4 poles

Technical Data Sheet

PRO28S D/4

COMMON DATA

Rated Power at 50Hz	kVA	250	
Rated Power at 60Hz	kVA	300	
Rated Power Factor		0.8	
Nominal Temperature	°C	40	
Control System		Self excited	
Execution		brushless	
Regulation Type		AVR	
Insulation Class		H	
Protection		IP23	
Maximum Overspeed	rpm	2250	
Overload		110% of rated power for one hour in a cycle of 6 hours	
Air Flow Requirement	m ³ /min	36.5 at 50Hz	43.1 at 60Hz
Telephone Interference		<2%	
R.F.I. Suppression		Standard EN55011	

REGULATION DATA

AVR	HVR30		
Sensing	Three phase		
Voltage Regulation	± 1%		
Sustained Short Circuit	300% of rated current		

WINDING DATA

Stator Winding	Double layer with auxiliary winding		
Rotor Winding	with damping cage		
Winding Pitch	2/3		
Number of Leads of Stator Winding	12		
Stator Winding Resistance	0.0069Ω at 20°C		
Rotor Winding Resistance	2.26Ω at 20°C		
Exciter Stator Resistance	15Ω at 20°C		
Exciter Rotor Resistance	0.25Ω at 20°C		
THD at full load	<3%		
THD at no load	<3%		
Excitation at no load	A _{dc}	0.62	
Excitation at full load	A _{dc}	2.3	

STANDARD

References	EN60034-1, ISO8538, EN55011
------------	-----------------------------

PRO28S D/4

ELECTRICAL DATA

Frequency		50Hz - 1500rpm				60Hz - 1800rpm			
Voltage Series Star	V	380/220	400/230	415/240	440/254	415/240	440/254	460/266	480/277
Voltage Parallel Star	V	190/110	200/115	207/120	220/127	207/120	220/127	230/133	240/138
Voltage Series Delta	V	220	230	240	254	240	254	266	277
Rated Power in Class H (125°C/40°C)	kVA	250	250	250	235	290	300	300	300
	kW	200	200	200	188	232	240	240	240
Rated Power in Class F (105°C/40°C)	kVA	210	210	210	197	240	250	250	250
	kW	168	168	168	157.6	192	200	200	200
Rated Power Standby (150°C/40°C)	kVA	266	266	266	250	310	320	320	320
	kW	212.8	212.8	212.8	200	248	256	256	256
Rated Power Standby (163°C/27°C)	kVA	280	280	280	260	320	335	335	335
	kW	224	224	224	208	256	268	268	268

EFFICIENCY IN CL. H

4/4		92.7%						93.2%
3/4		93.1%						93.6%
2/4		92.0%						92.5%
1/4		89.3%						90.1%

REACTANCES AND TIME CONSTANTS

pcc	0.38							
X _d - dir. axis synchronous	388%	350%	325%	272%	453%	417%	381%	350%
X' _d - dir. axis transient	19.9%	18.0%	16.7%	14.0%	23.3%	21.4%	19.6%	18.0%
X'' _d - dir. axis subtransient	11.1%	10.0%	9.3%	7.8%	12.9%	11.9%	10.9%	10.0%
X _q - quad. axis reactance	235%	212%	197%	165%	274%	252%	231%	212%
T' _{do} - O.C. field time constant	1850 ms							
T' _d - Transient time constant	115 ms							
T'' _d - Sub-transient time constant	14 ms							

MECHANICAL DATA

Bearing non drive end	6314-2RS-C3		
Bearing drive end (B3/B14 form)	6316-2RS-C3		
Weight of generator	in B2	kg	730.5
	in B3/B14	kg	741.5

PRO28S D/4

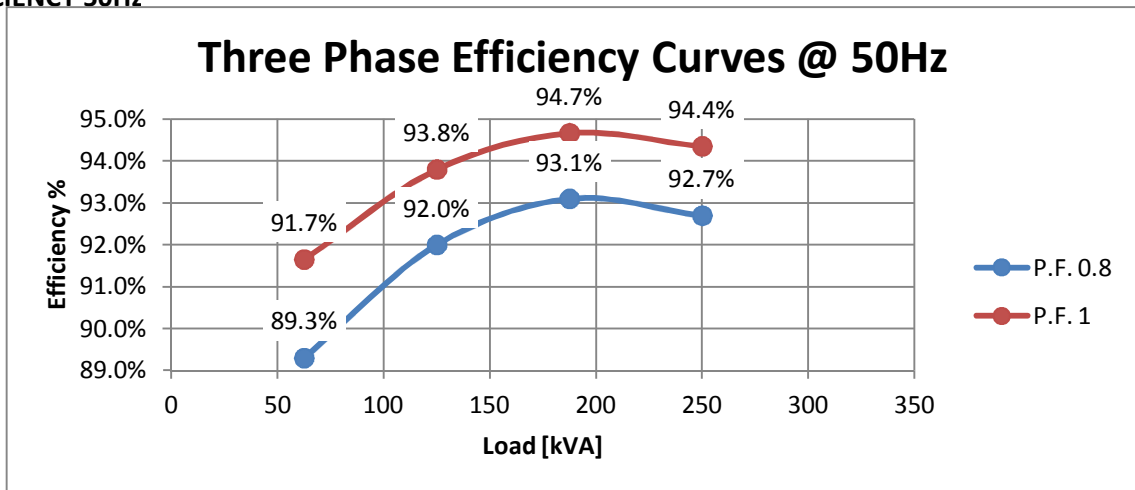
MOMENT OF INERZIA

SAE 11½	kg·m ²	2.832
SAE 14	kg·m ²	2.979
B3/B14	kg·m ²	2.664

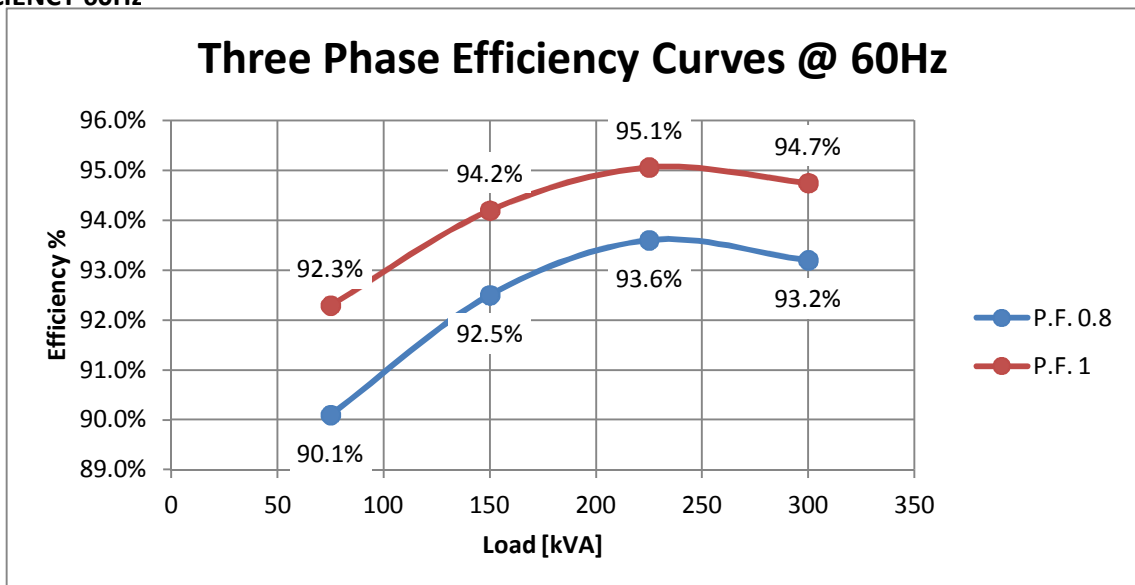
POWER VARIATION ACCORDING TO TEMPERATURE AND ALTITUDE

Altitude	Ambient temperature				
	25°C	40°C	45°C	50°C	55°C
< 1000m	1.09	1	0.96	0.93	0.91
1000m - 1500m	1.01	0.96	0.92	0.89	0.87
1500m - 2000m	0.96	0.91	0.87	0.84	0.83
2000m - 3000m	0.9	0.85	0.81	0.78	0.76

EFFICIENCY 50Hz

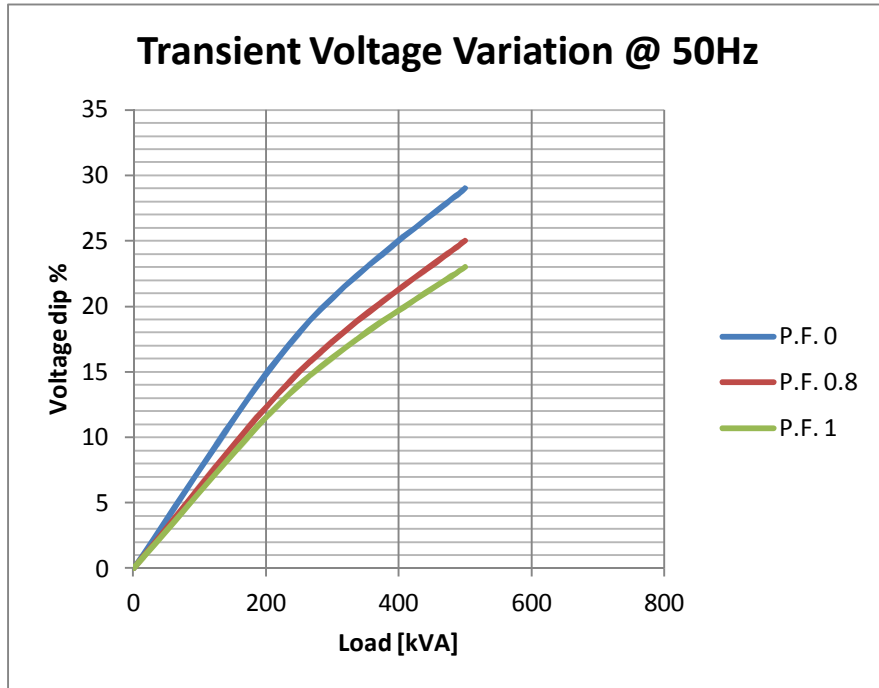


EFFICIENCY 60Hz

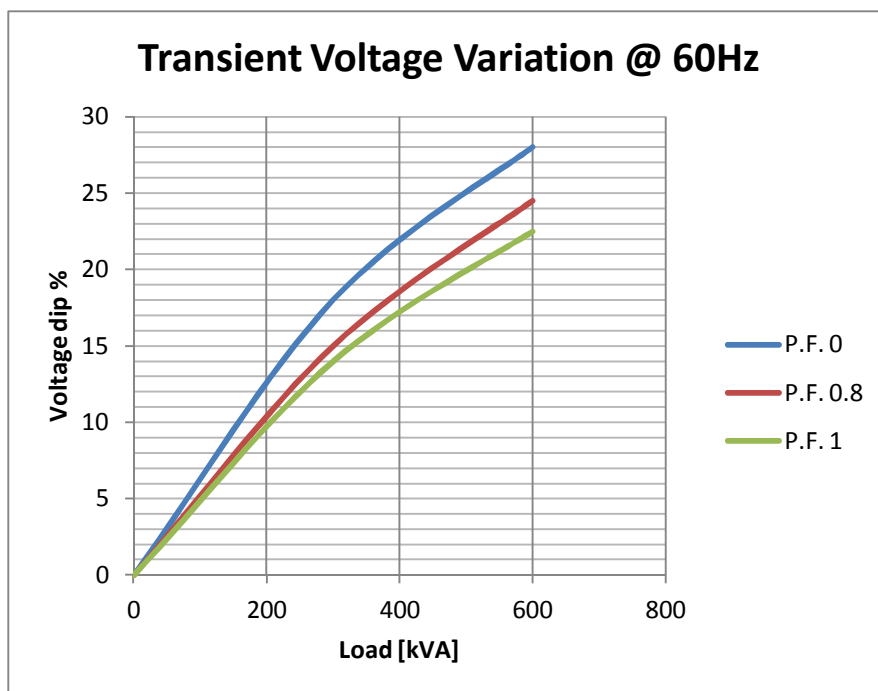


PRO28S D/4

TRANSIENT VOLTAGE VARIATION 50Hz

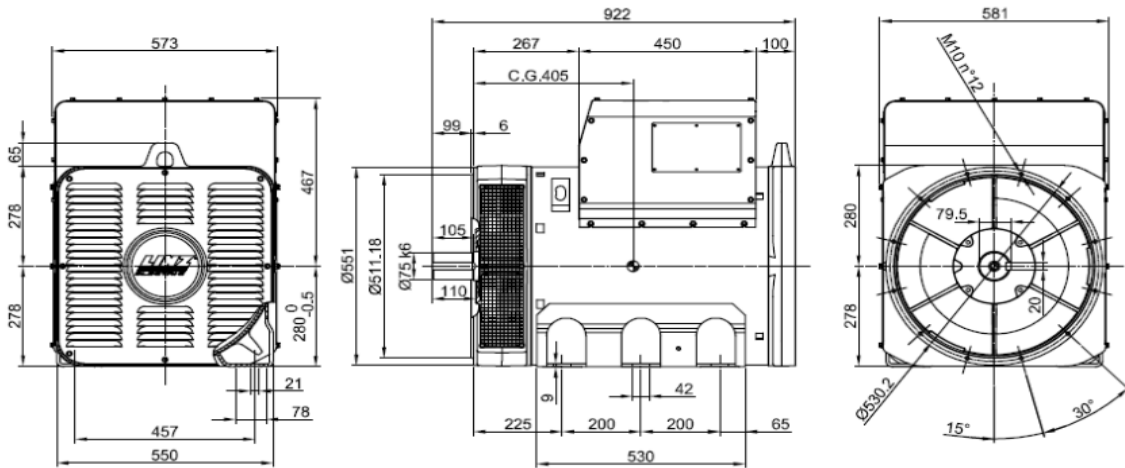


TRANSIENT VOLTAGE VARIATION 60Hz

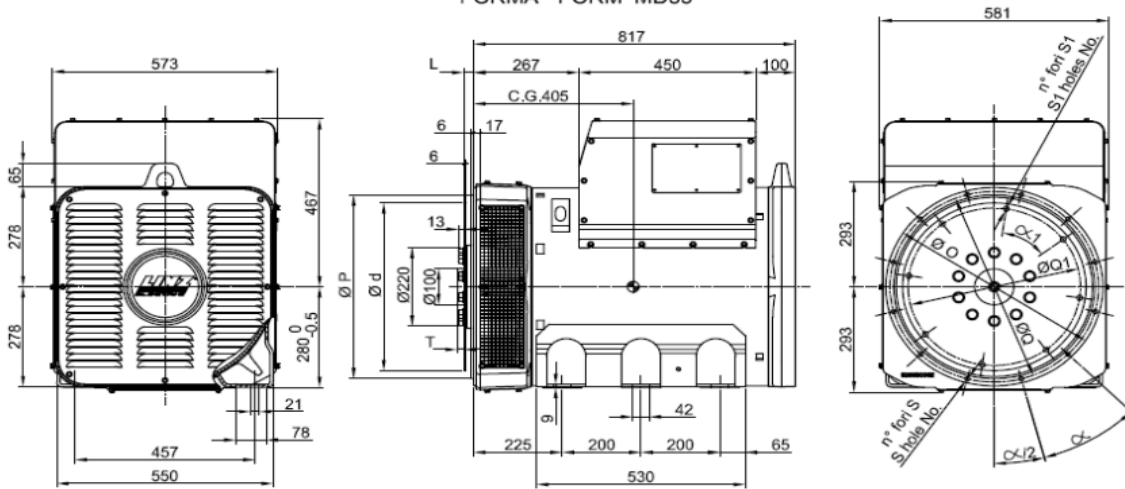


PRO28S D/4

FORMA - FORM B3/B14



FORMA - FORM MD35



SAE N.	FLANGIE - FLANGES - BRIDAS					
	Ø O	Ø P	Ø Q	n. fori holes No.	S	α
3	451	409.6	428.6	12	12	30°
2	490	447.68	466.7			
1	552	511.18	530.2			

SAE N.	GIUNTI A DISCO - COUPLING DISCS- JUNTAS A DISCOS						
	L	Ø d	Ø Q1	n. fori holes No.	S1	α1	T
1 1/2	39.6	352.42	333.37	8	10.5	45°	0
14	25.4	466.72	438.15	8	14	45°	17.3